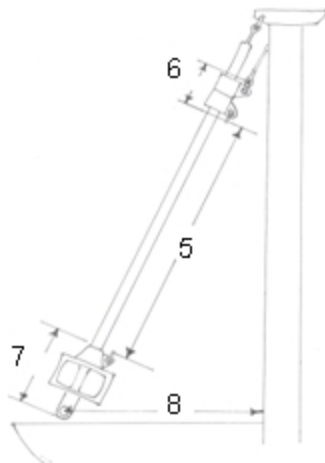


## Headsail Information & Measuring Diagram

For Sperry Sails to build a headsail that fits properly, fill out the following information and call us with any questions you might have.

### General information

- 1) What type of boat do you have? \_\_\_\_\_
- 2) What size sail would you like?  
(Call to discuss if you like) \_\_\_\_\_
- 3) Roller furling or hank-on? \_\_\_\_\_
- 4) If roller furling, which direction does the drum turn when pulling on the furling line and looking down on the drum? (Clockwise or counterclockwise)  
\_\_\_\_\_



### Measure the following

- 5) Hoist- With halyard up as far as it will go \_\_\_\_\_
- 6) Swivel- Shackle to shackle \_\_\_\_\_
- 7) Height of drum- Pin to tack shackle \_\_\_\_\_
- 8) J dimension- Pin to mast \_\_\_\_\_
- 9) Base of headstay to front of genoa track \_\_\_\_\_
- 10) Base of headstay to back of genoa track \_\_\_\_\_



### Optional measurements

- 11) Leech- With halyard as far up as it will go to where you would like to see the clew land, around shrouds if necessary .  
\_\_\_\_\_
- 12) Foot- Shackle on drum to where you would like the clew to land.  
\_\_\_\_\_

